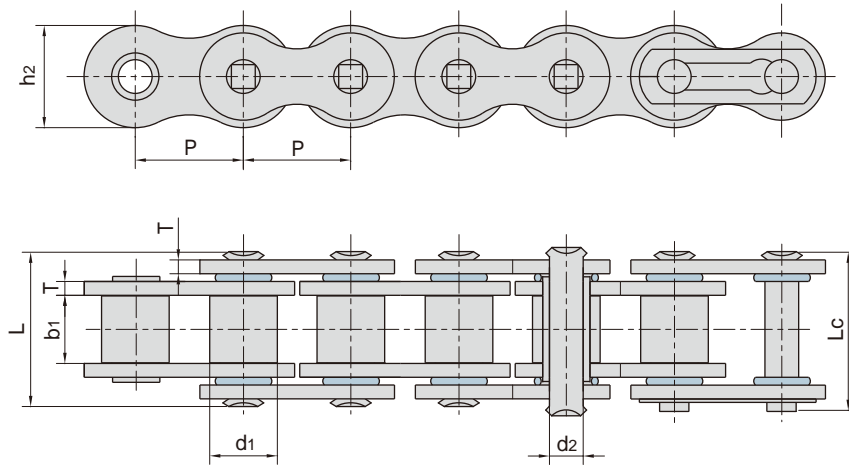


O形密封圈滚子链 O-Ring chains



东华链号 Donghua Chain No.	节距	滚子直径	内节内宽	销轴直径	销轴长度		链板高度	链板厚度	抗拉强度	平均抗拉强度	每米长重
	Pitch	Roller diameter	Width between inner plates	Pin diameter	Pin length		Plate depth	Plate thickness	Tensile strength	Average tensile strength	Weight per meter
	P	d1 max	b1 min	d2 max	L max	Lc max	h2 max	t/T	Q min	Q0	q
	mm	mm	mm	mm	mm	mm	mm	mm	kN/lbf	kN	kg/m
*35 OR	9.525	5.08	4.77	3.58	14.4	15.5	9.00	1.30	7.9/1776	9.4	0.39
40 OR	12.700	7.95	7.85	3.96	18.3	19.6	12.00	1.50	14.1/3205	17.5	0.67
50 OR	15.875	10.16	9.40	5.08	23.1	24.8	15.09	2.03	22.2/5045	29.4	1.19
50H OR	15.875	10.16	9.40	5.08	24.7	26.4	15.09	2.42	22.2/4991	26.6	1.18
60 OR	19.050	11.91	12.57	5.94	28.5	30.4	18.00	2.42	31.8/7227	41.5	1.62
60 ORF1	19.050	11.91	9.70	5.94	25.5	27.3	18.00	2.42	31.8/7149	38.1	1.49
60H OR	19.050	11.91	12.57	5.94	31.7	34.2	18.00	3.25	31.8/7149	38.1	1.97
60HT OR	19.050	11.91	12.57	5.94	31.7	33.2	18.00	3.25	45.0/10116	48.0	1.96
80 OR	25.400	15.88	15.75	7.92	35.6	37.3	24.00	3.25	56.7/12886	69.4	2.70
100 OR	31.750	19.05	18.95	9.53	43.3	47.0	30.00	4.00	88.5/20114	109.2	3.91
120 OR	38.100	22.23	25.22	11.11	54.0	57.5	35.70	4.80	127.0/28864	156.3	6.34
160H OR	50.800	28.58	31.55	14.27	72.6	77.3	47.80	7.20	222.4/49996	266.8	11.13
200H OR	63.500	39.68	37.85	19.85	91.6	98.5	60.00	9.50	347.0/78006	416.4	19.20
#06B OR	9.525	6.35	5.72	3.28	14.4	15.6	8.20	1.30	9.0/2023	10.4	0.45
08B OR	12.700	8.51	7.75	4.45	18.8	19.9	11.80	1.60	18.0/4091	19.40	0.74
10B OR	15.875	10.16	9.65	5.08	22.0	23.3	14.70	1.70	19.0/4271	22.8	1.00
12B OR	19.050	12.07	11.68	5.72	24.9	26.8	16.00	1.85	29.0/6519	32.2	1.27
16B OR	25.400	15.88	17.02	8.28	39.5	40.9	21.00	4.15/3.10	60.0/13488	72.0	2.85
16BH OR	25.400	15.88	17.02	8.90	39.5	40.9	24.10	4.00/3.10	65.0/14612	78.0	3.19
20B OR	31.750	19.05	19.56	10.19	44.5	48.5	26.40	4.50/3.50	95.0/21356	106.7	4.04

*套筒链：表中滚子直径d1为套筒直径

*Bush chain: d1 in the table indicates the external diameter of the bush.

#直链板

#Straight side plates