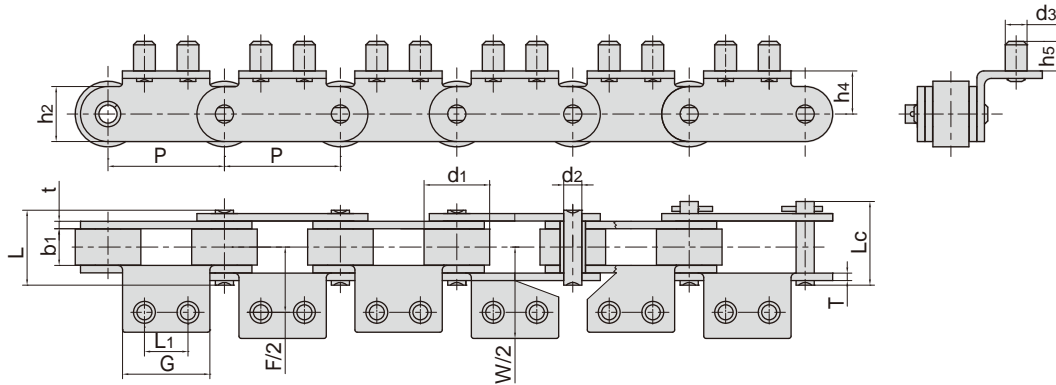
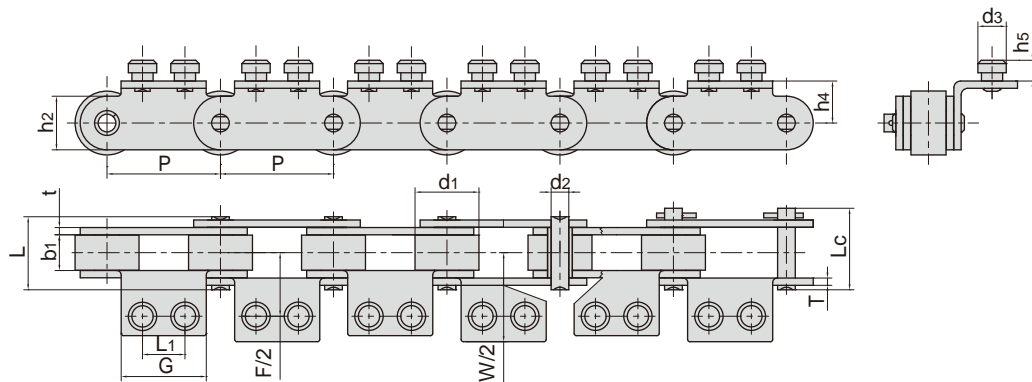


冷饮加工输送链 Conveyor chains for cold drink production

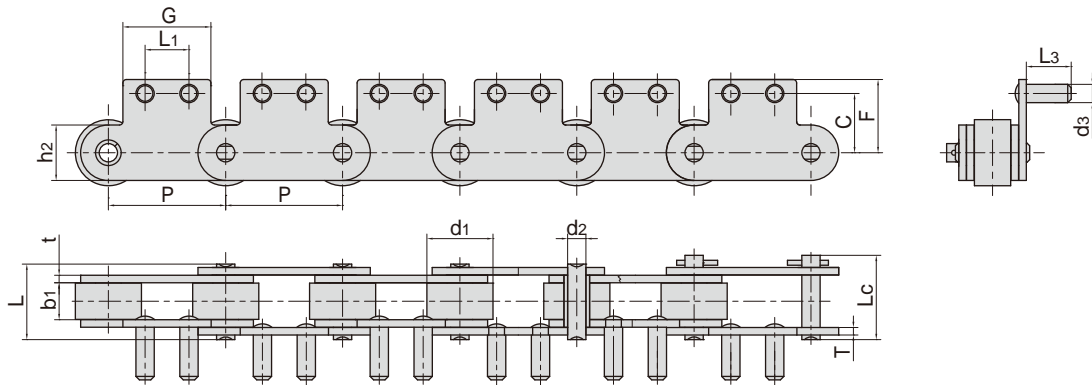


东华链号 Donghua Chain No.	节距 Pitch	滚子直径 Roller diameter	内节内宽 Width between inner plates	销轴直径 Pin diameter	销轴长度 Pin length		内链板高度 Inner plate depth	链板厚度 Plate thickness	抗拉强度 Tensile strength	每米长重 Weight per meter
	P	d1 max	b1 min	d2 max	L max	Lc max	h2 max	t/T max	Q min	q
	mm	mm	mm	mm	mm	mm	mm	mm	kN/lbf	kg/m
C2082SSA2F3	50.80	28.58	15.75	7.92	32.70	36.5	22.60	3.25	39/8767	2.8
东华链号 Donghua Chain No.	G	L1	F	W	h4	h5	d3			
	mm	mm	mm	mm	mm	mm	mm			
	C2082SSA2F3	38.10	19.05	57.16	78.00	18.50	12.70	9.53		



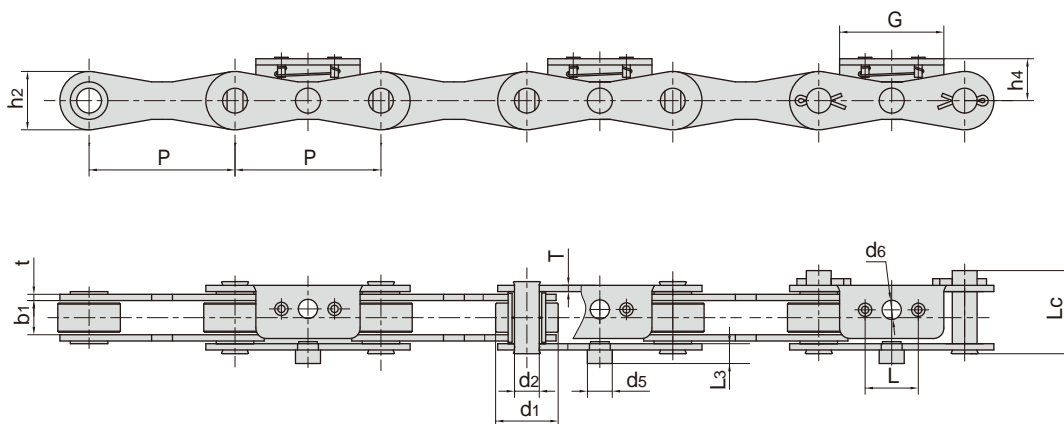
东华链号 Donghua Chain No.	节距 Pitch	滚子直径 Roller diameter	内节内宽 Width between inner plates	销轴直径 Pin diameter	销轴长度 Pin length		内链板高度 Inner plate depth	链板厚度 Plate thickness	抗拉强度 Tensile strength	每米长重 Weight per meter
	P	d1 max	b1 min	d2 max	L max	Lc max	h2 max	t/T max	Q min	q
	mm	mm	mm	mm	mm	mm	mm	mm	kN/lbf	kg/m
C2082SSA2F4	50.80	28.58	15.75	7.92	32.70	36.5	22.60	3.25	39/8767	2.8
东华链号 Donghua Chain No.	G	L1	F	W	h4	h5	d3			
	mm	mm	mm	mm	mm	mm	mm			
	C2082SSA2F4	38.10	19.05	57.16	78.00	18.70	8.50	12.70		

冷饮加工输送链 Conveyor chains for cold drink production



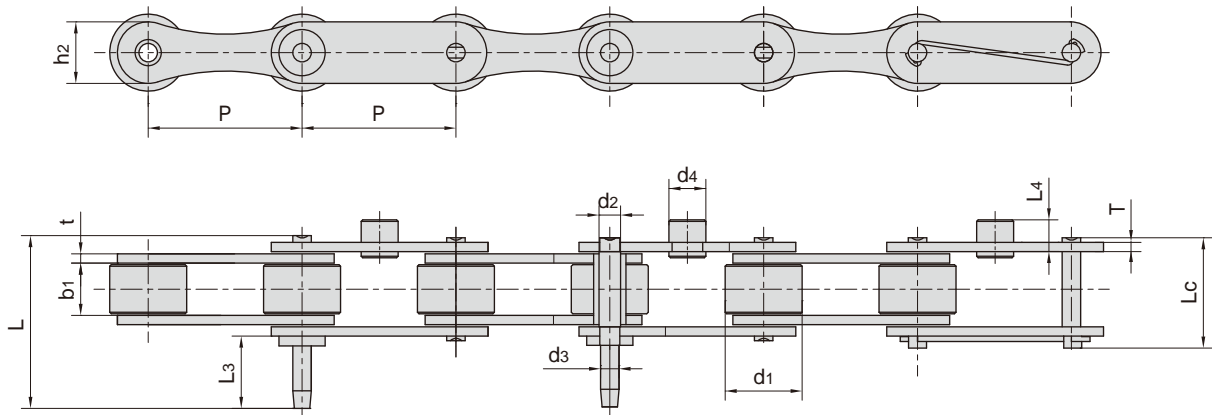
东华链号 Donghua Chain No.	节距 Pitch	滚子直径 Roller diameter	内节内宽 Width between inner plates	销轴直径 Pin diameter	销轴长度 Pin length		内链板高度 Inner plate depth	链板厚度 Plate thickness	抗拉强度 Tensile strength	每米长重 Weight per meter
	P	d1 max	b1 min	d2 max	L max	Lc max	h2 max	t/T max	Q min	q
	mm	mm	mm	mm	mm	mm	mm	mm	kN/lbf	kg/m
C2082SSSA2F1	50.80	28.58	15.75	7.92	32.70	36.5	22.60	3.25	39/8767	2.66

东华链号 Donghua Chain No.	P	G	L1	C	F	L3	d3
mm	mm	mm	mm	mm	mm	mm	mm
C2082SSSA2F1	50.80	38.10	19.05	25.40	31.80	19.20	7.92

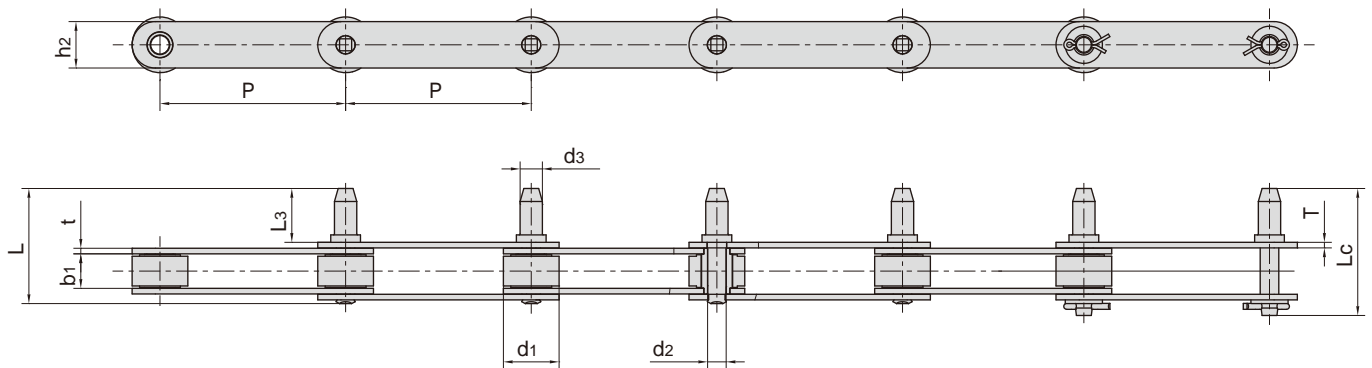


东华链号 Donghua Chain No.	节距 Pitch	滚子直径 Roller diameter	内节内宽 Width between inner plates	销轴直径 Pin diameter	销轴长度 Pin length	链板尺寸 Plate dimension		附件尺寸 Attachment dimension						抗拉强度 Tensile strength
	P	d1 max	b1 min	d2 max	Lc max	h2 max	t/T max	h4	d5	d6	G	L	L3	Q min
	mm	mm	mm	mm	mm	mm	mm	mm	mm	mm	mm	mm	mm	kN/lbf
P70F2SS	70.00	30.00	15.75	11.98	39.9	28.0	3.1	20.0	12.0	9.2	50.0	25.5	7.0	22.5/5058

冷饮加工输送链 Conveyor chains for cold drink production



东华链号 Donghua Chain No.	节距 Pitch	滚子直径 Roller diameter	内节内宽 Width between inner plates	销轴直径 Pin diameter	销轴长度 Pin length			链板尺寸 Plate dimension		附件尺寸 Attachment dimension			抗拉强度 Tensile strength
	P	d1 max	b1 min	d2 max	L max	Lc max	L3	h2 max	t/T max	d3	d4	L4 max	Q min
	mm	mm	mm	mm	mm	mm	mm	mm	mm	mm	mm	mm	kN/lbf
P50F10SS	50.00	25.00	18.00	7.00	56.2	35.7	25.5	20.0	3.0	6.00	12.0	10.0	25.0/5620



东华链号 Donghua Chain No.	节距 Pitch	滚子直径 Roller diameter	内节内宽 Width between inner plates	销轴直径 Pin diameter		销轴长度 Pin length			内链板高度 Inner plate depth	链板厚度 Plate thickness	抗拉强度 Tensile strength	每米长重 Weight per meter
	P	d1 max	b1 min	d2 max	d3 max	L max	Lc max	L3	h2 max	t/T max	Q min	q
	mm	mm	mm	mm	mm	mm	mm	mm	mm	mm	kN/lbf	kg/m
P100F135SS-D3	100.00	30.00	18.20	10.00	12.00	61.6	68.0	29.0	25.0	3.0	30/6744	2.8